



Winterwarm EH-series

Winterwarm presents the EH-series: an electric air heater that can quickly heat industrial or commercial buildings, as an all-electric heating solution or as additional heating.



Winterwarm
heating solutions 

Features

Winterwarm EH series:

- Various heating outputs
- Effective heating of the room
- Modulating fan
- Even heat distribution
- Easy to install
- Low investment

The Winterwarm EH is an electric air heater for industrial or commercial buildings where gas is not available. If you want to take maximum advantage of your own power generation from solar panels, the EH can also provide effective supplementary heating. Installed quickly and easily with all the benefits of air heating.

The EH can act as main heating or as supplementary heating.

The 2-stage fan switches to low as soon as the room has reached the desired temperature and adds warm air as needed so that the room temperature remains stable and there is reduced draft.

Unique delta-T control

To make optimum use of the heat present in the room, the EH is equipped with a so-called delta T-control. This means that if the room temperature drops too much, the fan first distributes the warm air that has accumulated in the roof space. The heating element will only activate if the room temperature remains too low. This feature minimises heat loss through the roof and reduces electricity consumption.

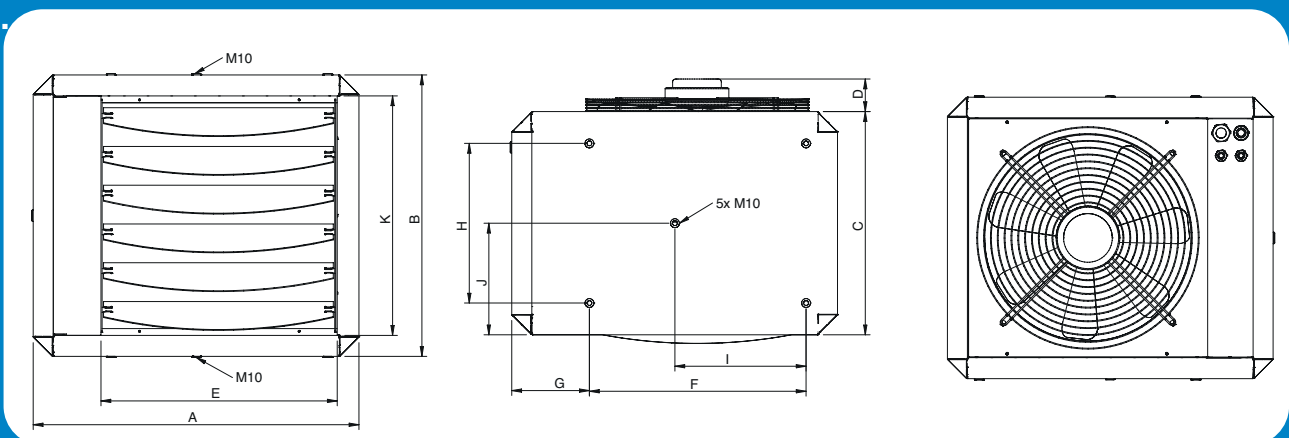
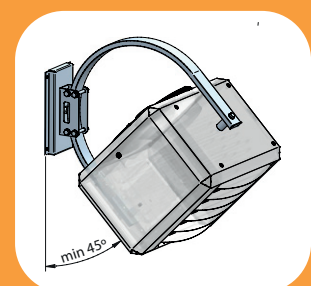
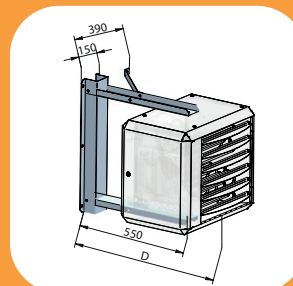
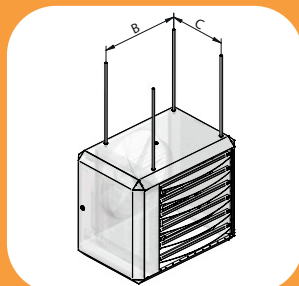
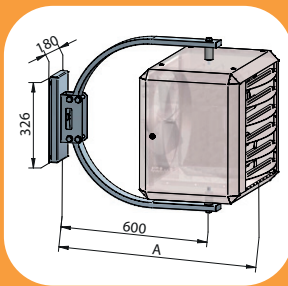
All-electric

In a gas-free location, the Winterwarm electric air heaters can make an excellent contribution to heating a business premises. There is a rapid heating of the room and an even temperature distribution, which leads to less energy consumption. The appliance has an efficiency of 100%: all the heat generated is distributed in the room.

Installation and suspension

The unit can be mounted on the wall with a wall bracket or suspended from the ceiling by threaded bar. When using the design console, the heater can be tilted up to 45° to blow out at an angle and direct the airflow downwards. All EH types are equipped with horizontal louvres and can optionally be equipped with vertical louvres to widen and shorten the throw.

	A	B	C	D
EH 10-30	795	380	280	745
EH 40	845	490	380	795



Measurements

Type	A	B	C	D	E	F	G	H	I	J	K
EH 10-30	570	490	390	125	420	380	140	280	230	195	420
EH 40	650	490	530	125	490	490	100	380	325	245	420

Extensive control options

The EH air heaters can be controlled by the existing MultiTherm thermostats from Winterwarm. These includes many features. The thermostat regulates the modulation of the heating capacity as soon as the desired room temperature is approached. As a result, the appliance remains in operation longer and the warm air recirculates better.



MultiTherm S
(art.no. IX3911)



MultiTherm C
(art.no. IX3912)



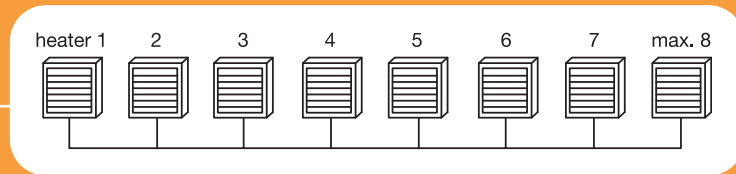
Room thermostat
(art.no. IW3960)



Remote sensor
(art.no. GA3929)



Interface print
(art.no. IB5902)



MultiTherm C & MultiTherm S

The MultiTherm can control up to 8 heaters at the same time and can be placed remotely when combined with a remote sensor. It is even possible to control an EH air heater and an XR air heater with the same MultiTherm thermostat.

The MultiTherm Standard is a thermostat without time functions but modulating and equipped with functions such as fault diagnosis and interference suppression for each air heater, temperature calibration, summer ventilation. The MultiTherm Comfort is the clock thermostat with additional functions such as 10 programmable time blocks,

overtime timer, self-learning optimization, pin code blocking, etc. Both types have a simple 2-wire low-voltage connection. Both are also available with additional input relays for an external signal to manage the heat demand.

If several EH air heaters are connected to one thermostat, they will start in turn so that there is no peak load. There is also an Interface Board available which can control the heaters by a 0-10V signal and forward fault messages to a BMS. If only a 0-10V control is required, then a simple accessory set is available. Winterwarm also has a universal 230V. room thermostat available for simple on/off control.



Technical data EH-series

Type	Unit	EH 10	EH 15	EH 25	EH 30	EH 40
Heating capacity high	kW	9,9	15,0	24,9	29,7	39,6
Heating capacity low	kW	3,3	7,5	9,9	9,9	19,8
Electrical connection	kW	10,1	15,2	25,1	29,9	39,8
Maximum electrical current per phase high	A	15,5	22,9	37,2	44,2	59,0
Maximum air output (warm)	m ³ /h	3100	3100	3000	3000	4400
Throw horizontal (max)	m	23	23	22	22	28
Voltage (50 Hz)	V	400V+N	400V+N	400V+N	400V+N	400V+N
Weight	kg	25	26	28	30	34
Sound level (@5m), range	dB(A)	55-58	55-58	55-58	55-58	57-60

Winterwarm: leading

Winterwarm has been engaged in the development, production and sales of industrial heating in Europe since 1936.

The company not only specialises in indirect fired unit air heaters, but also sells LPHW heaters, electrical heaters, destratification fans and direct fired heaters for the agricultural and horticultural industry.



Winterwarm 
heating solutions

Winterwarm Heating Solutions BV

Industrieweg 8 Winterswijk The Netherlands
P.O.Box 36 NL-7100 AA Winterswijk The Netherlands
Tel. +31 (0)543 54 63 00 info@winterwarm.nl
www.winterwarm.com

Winterwarm UK Ltd.

Unit H3, Taylor Business Park, Warrington Road,
Risley, Warrington, Cheshire WA3 6BL
Tel. +44 (0)192 57 65 799 enquiries@winterwarmuk.com
www.winterwarmuk.com

version February 2021

Famous Winterwarm quality

- 85 years of experience
- ISO 9001-2015 gecertified
- Quick delivery
- Reliable